

Striker

- This is a single effect solenoid. The striker is spring operated.
- The striker is activated by low-power polarised electrical signal supplied by the relay in case of a fault.
- The striker is reset to its starting position manually.

PRT-15



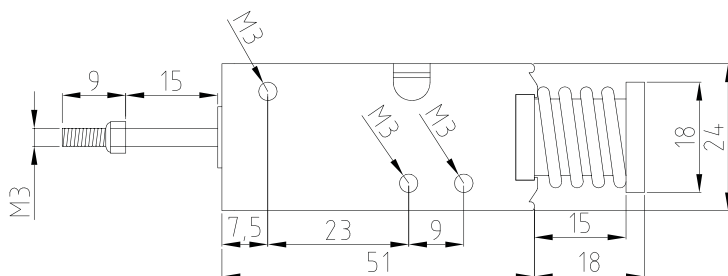
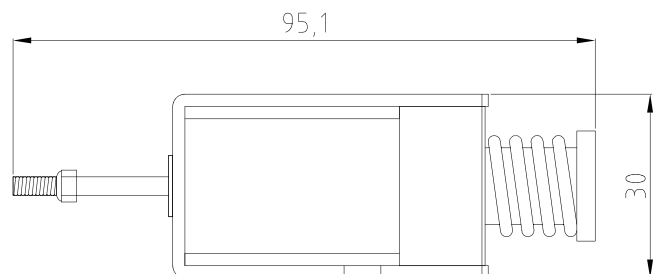
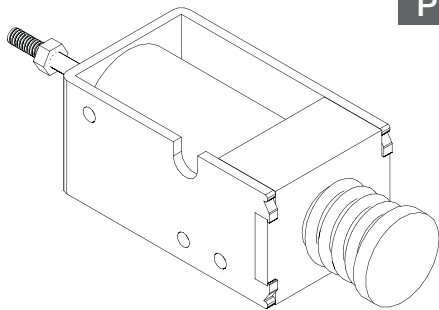
PRT-8



MODELS	PRT-15		PRT-8
Nominal voltage (Un)	3 Vdc	17 Vdc	6 Vdc
Spring travel	15 mm	15 mm	8 mm
Minimum trip voltage (with power supply)	1,4 V	6,5 V	4,5 V
Release Minimum energy	18 mJ	60 mJ	30 mJ
Spring strength start of travel (Fe)	36 N	37 N	37 N
Spring strength end of travel (Fe)	16 N	17 N	18 N
Insulation class	Y	Y	Y
Duty cycle at Un (ED)	80%	80%	100%
Resistance at 20°C	1,1 Ohm	16 Ohm	38 Ohm
Protection degree	IP00	IP00	IP00
Operating temperature	-20°C + 50°C	-20°C + 50°C	-20°C + 50°C
Storage temperature	-20°C + 75°C	-20°C + 75°C	-20°C + 75°C
Code	13007	13008	13014

DIMENSIONS

PRT-15



PRT-8

