

Current Transformers for SIA-B Self powered Relays

TAPED CURRENT TRANSFORMER

The low power switchgear CT's are specially designed for application in Medium Voltage installations as RMU's. This PVC TAPED transformer is cost effective and very reliable. It is designed for dynamic loads and applicable for the CT powered relays.

This CT is suitable for FANOX SIAB Protection Relays.

CT-MT



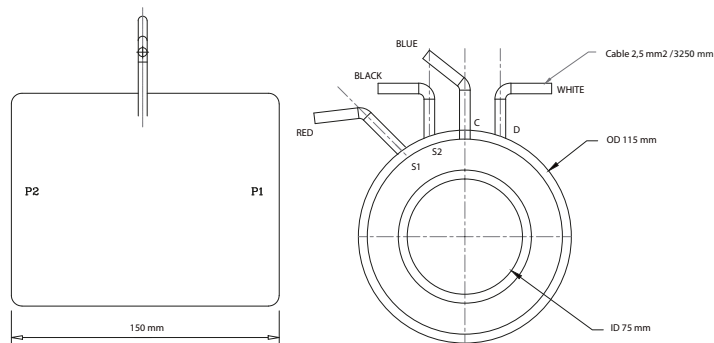
Special CTs			
Type	Code	*In Range	Class
CT08-5 Taped	41465	3-33 A	5P80
CT16-5 Taped	41451	6-65 A	5P80

* In is the value of the primary nominal current of the transformer.

Application	Indoor Use
Class of insulation	Class A
Frequency	50-60 Hz
Ratio	... / 0,075 A
Primary Conductor	Cable max. \varnothing 75 mm
Sec. wire diameter /length	2,5 mm ² / 3250 mm (Wire included)
Test winding	0,288 A Nominal
Burden	0,05 VA
Protection	5P80

DIMENSIONS (mm)

CT08-05 Taped



CT16-05 Taped

