

Current Transformers for SIA-B Self powered Relays

EPOXY RESIN CURRENT TRANSFORMER

The low power switchgear CT's are specially designed for application in Medium Voltage installations as RMU's. This EPOXY RESIN transformer is cost effective and very reliable. It is designed for dynamic loads and applicable for the CT powered relays.

This CT is suitable for FANOX SIAB Protection Relays.

CT-MT



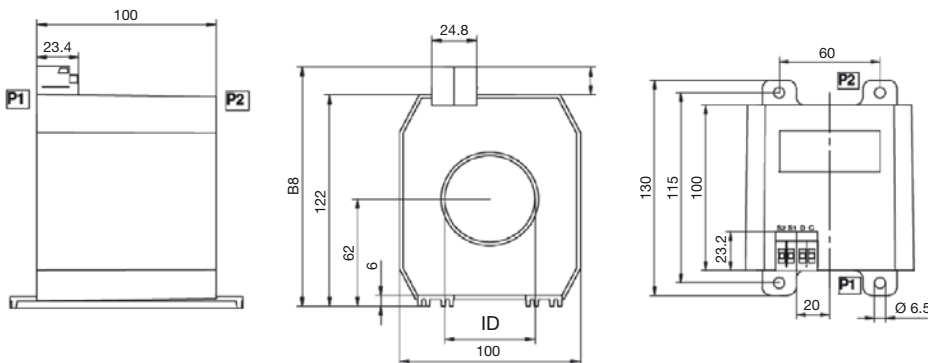
CE

Special CTs			
Type	Code	*In Range	Class
CT08-5	41450	3-33 A	5P80
CT16-5	41458	6-65 A	5P80
CT16-10	41452	6-65 A	10P80
CT32-5	41453	12-130 A	5P80
CT64-5	41454	25-260 A	5P80
CT128-5	41455	51-520 A	5P80
CT256-5	41456	102-1040 A	5P80

* In is the value of the primary nominal current of the transformer.

Application	Indoor Use
Class of insulation	Class E
Frequency	50-60 Hz
Ratio	.../ 0,075 A
Primary Conductor	Cable max. \varnothing 50 mm
Sec. wire diameter	Terminal for 6 mm ² solid/ 4 mm ² strand (Wire NOT included)
Test winding	0,288 A Nominal
Burden	0,1 VA
Protection	5P80/10P80
Material	PU & PA6.6

DIMENSIONS (mm)



Type	ID (mm)
CT08-5	45
CT16-5	50
CT16-10	50
CT32-5	50
CT64-5	50
CT128-5	50
CT256-5	50