

### MAIN SPECIFICATIONS

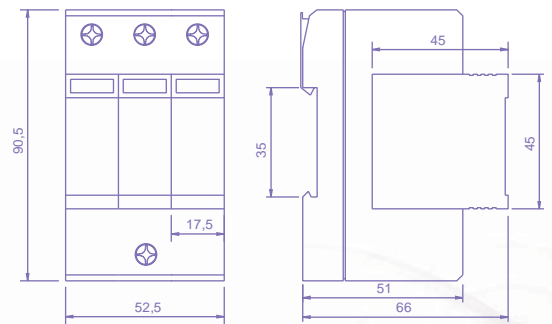
Units designed to protect installations and equipments in direct current against possible damages caused by transient overvoltage.

- ↪ Photovoltaics installations.
- ↪ Class II overvoltage protector (Type 2).
- ↪ Plug-in protection module.
- ↪ Visual fault indicator.
- ↪ Remote signalling.

### TECHNICAL PARAMETERS

According to IEC 61643-1	Clase II
Maximum service voltage in direct current $U_{ocmax}$	< 1000 Vdc
Maximum continuous operating voltage $U_c$ [L-PE]	500 Vdc
Nominal discharge current (8/20 $\mu$ s) $I_n$	20 kA
Maximum discharge current (8/20 $\mu$ s) $I_{max}$	40 kA
Protection level $U_p$	< 3,6 kV
Protection level at 5 kA	< 3 kV
Response time $t_a$	< 25 ns
Maximum back-up fuse	125 A gL/gG
Working temperature range	-40 °C a +80 °C
Recommended cable section (line and neutral connection)	Rigid cable: 6 – 16 mm <sup>2</sup> Flexible cable: 6 – 25 mm <sup>2</sup>
Recommended cable section (earth connection)	Rigid cable: 10 – 25 mm <sup>2</sup> Flexible cable: 10 – 35 mm <sup>2</sup>
Torque	Maximum 4,5 Nm
Assembly	Symmetrical rail 35 mm EN50022
Carcase material	Thermoplastic, grey colour, UL 94 V-0
Protection degree	IP 20
Visual failure indicator	Green (Correct)/Red (Replace)
Remote signalling	Switched contact NA-NC
Wire section for remote signalling	1,5 mm <sup>2</sup>
Remote signalling cut off capability	1 A/125 Vac - 0,2 A/125 Vdc
Marking	CE

### DIMENSIONS millimeters



### CODES

#### ORDER INFORMATION

Article code	41608
Weight	315 gr
Packaging	1 units/box

Other voltages ( $U_c$ ) or discharge capacities ( $I_n$ ) are available to order.  
Consult us at [export@fanox.com](mailto:export@fanox.com).

#### PLUG-IN MODULE

	Article code	41616
	$U_c$	500 Vdc
	$I_n$	20 kA
	$U_p$	< 1,8 kV
	Mechanical code	✓