

WIND Power Applications

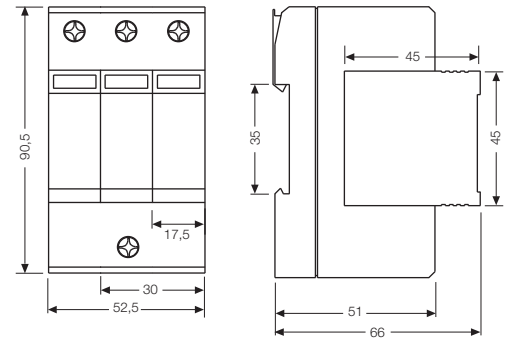
- Compact equipment for wind power installations.
- High discharge capacity via zinc oxide varistors and gas dischargers.
- With thermal separation device.
- Visual indication of a fault in the equipment.
- Remote signalling of protection status.
- Plug-in protection modules which facilitate maintenance.



CE

WIND POWER APPLICATIONS	
Code	41622
Model	VP C30 600/3
According to IEC 61643-1 (Class)	II
Type of network	TT/TN
Eolic line	2F+N+PE 3F+PE 3F+NPE
Nominal voltage Un (Vca)	600
Maximum continuous operating voltage Uc (Vca)	600
Nominal discharge current (8/20 μs) In (kA)	15
Maximum discharge current (8/20 μs) I_{max} (kA)	30
Protection level Up (kV)	< 2,8
Protection level at 5 kA (kV)	< 2,4
Response time ta (ns)	< 25
Maximum back-up fuse (A gL/gG)	63
N° modules	3
Plug-in modules code	41623

DIMENSIONS (mm)



WIRING DIAGRAM

