

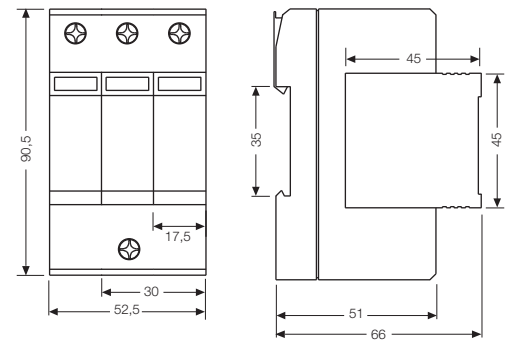
PHOTOVOLTAIC Applications

- Compact equipment for photovoltaic installations.
- High discharge capacity via zinc oxide varistors and gas dischargers.
- With thermal separation device.
- Visual indication of a fault in the equipment.
- Remote signalling of protection status.
- Plug-in protection modules which facilitate maintenance.



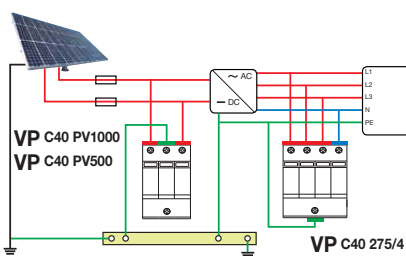
Code	PHOTOVOLTAIC APPLICATIONS	
	41605	41608
Model	VP C40 PV500	VP C40 PV1000
According to IEC 61643-1 (Class)	II	
Photovoltaic line	2F+PE	2F+PE
Maximum service voltage in direct current U_{oc,max} (Vdc)	< 500	< 1000
Maximum continuous operating voltage U_c (L-PE) (Vdc)	250	500
Nominal discharge current (8/20 μs) I_n (kA)	20	
Maximum discharge current (8/20 μs) I_{max} (kA)	40	
Protection level U_p (kV)	< 1,8	< 3,6
Protection level at 5 kA (kV)	< 1,5	< 3
Response time t_a (ns)	< 25	< 25
Maximum back-up fuse (A gL/gG)	125	125
N° Modules	3	3
Plug-in modules code	41614	41616

DIMENSIONS (mm)

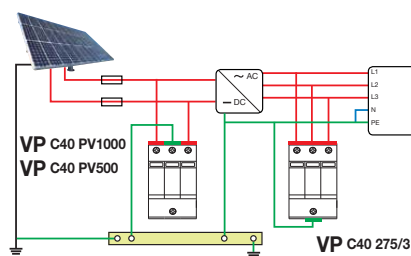


WIRING DIAGRAM

TN-S SYSTEM 3F + N + PE



TN-C SYSTEM 3F + NPE



TT SYSTEM 3F + N

