

Current Measurement for Chart Recorder

MULTITAP TRANSFORMER

- Ratings: 200 / 150 / 100 / 75 / 50:5, 10VA.
- 600V, 10 kV.
- Laminated Steel Core.
- Ext. PVC coating.

| Model | Code |
|---------------------------------|-------|
| CT MULTITAP 50-75-100-150-200/5 | 41726 |

Accuracy class 0.5

| Primary .../ 5A | Burden |
|--------------------|--------|
| 50 | 5VA |
| 75 | 5VA |
| 100 | 5VA |
| 150 | 7.5VA |
| 200 | 10VA |

STANDARDS

| |
|--|
| UNE-EN 60 044-1 (8.1, 11.7, 12.7) Terminal marking and nameplate |
| UNE-EN 60 044-1 (7.1) Short circuit |
| UNE-EN 60 044-1 (7.2) Heating test |
| UNE-EN 60 044-1 (11.4) Determination of errors |
| UNE-EN 60.695-2-11 Glow wire test |

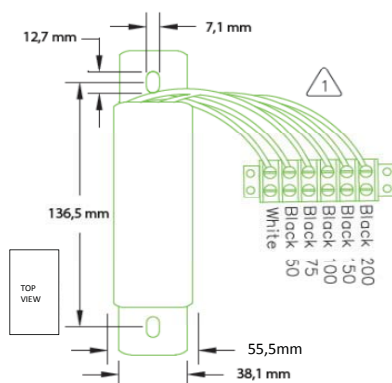
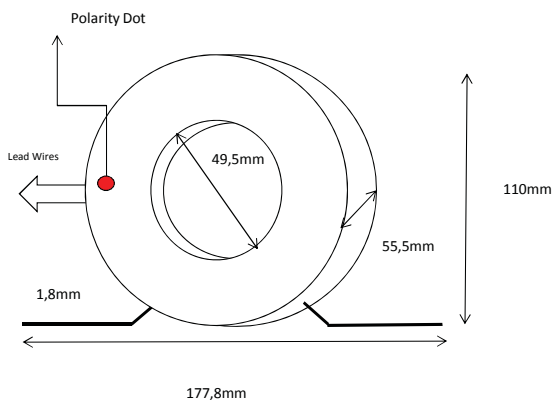
CT-M



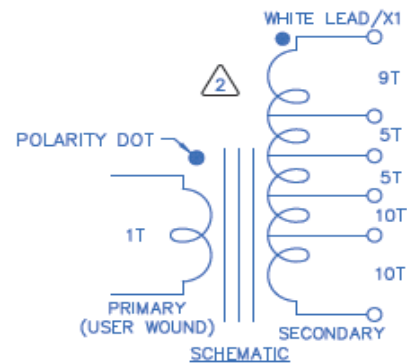
INDIVIDUAL TESTS

| |
|--|
| UNE-EN 60 044-1 (8.1, 11.7, 12.7) Terminal marking and nameplate |
| UNE-EN 60 044-1 (5.3) Frequency withstand volt. between secondary windings |
| UNE-EN 60 044-1 (8.4) Overvoltage tests between turns |
| UNE-EN 60 044-1 (11.4, 11.5) Determination of errors |

DIMENSIONS [mm]



WINDING



NOTES:

- LEAD WIRES ARE #12 AWG STYLE 1015, 105°C, 600V, 2,5 mm²
- WINDING WIRE IS REA #14 AWG HTAIH
- LEAD WIRES LENGTH 180 mm