

CT80II / CT4II

Electric Energy Measurement for Remote Management in Low Voltage

CURRENT TRANSFORMERS UP TO 1800 A

- Transformer ratio 1200/5.
- Sealable plastic cover, fixing base and bus-bar.
- Certificate model for pricing.

Primary .../ 5A	Model	Code	VA class 0,5 s
1200	CT80II	41440	5
1200	CT4II	41445	5

CHARACTERISTICS

Overload	$1,5 I_N$
Frequency	50/60 Hz
Maximum Voltage Um	0,72 kV
Isolation voltage	3 kV
Short circuit thermal current I _{th}	72 kA
Short circuit dynamic current I _{dyn}	2,5 x I _{th}
Accuracy limit	150 %
Security factor	5
Insulation class	E

STANDARDS

UNE-EN 60 044-1 (8.1, 11.7, 12.7) Terminal marking and nameplate
UNE-EN 60 044-1 (7.1) Short circuit
UNE-EN 60 044-1 (7.2) Heating test
UNE-EN 60 044-1 (11.4) Determination of errors
UNE-EN 60695-2-11 Glow wire test

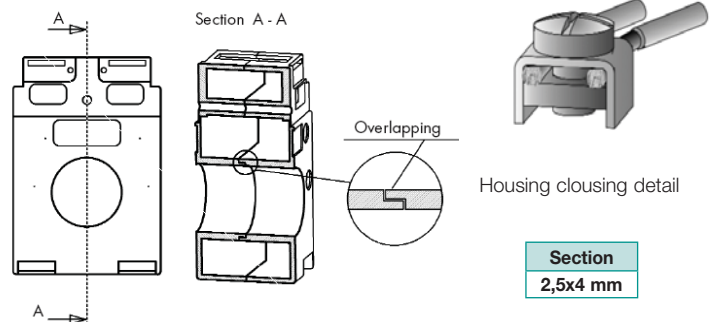
SUITABLE WIRES AND SECTORS CT80II

1x240 mm ² / 2x240 mm ² / 3x240 mm ² / 4x240 mm ² / 5x240 mm ²
1x300 mm ² / 2x300 mm ² / 3x300 mm ²
Primary passing through minimum dimensions (mm ²) 81x65

CT80II



CT4II



INDIVIDUAL TESTS

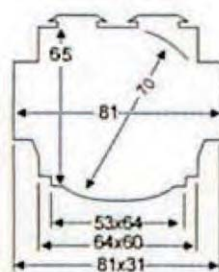
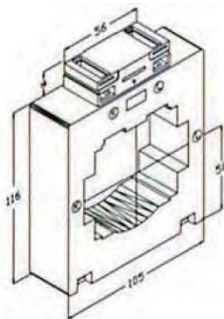
UNE-EN 60 044-1 (8.1, 11.7, 12.7) Terminal marking and nameplate
UNE-EN 60 044-1 (5.3) Frequency withstand volt. between secondary windings
UNE-EN 60 044-1 (8.4) Overvoltage tests between turns
UNE-EN 60 044-1 (11.4, 11.5) Determination of errors

SUITABLE WIRES AND SECTORS CT4II

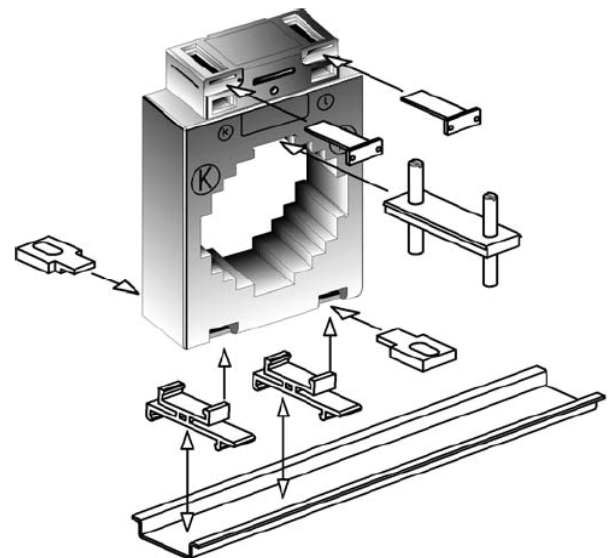
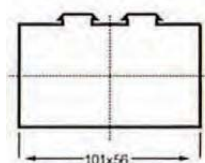
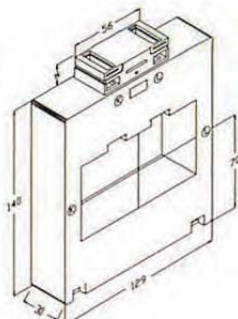
Cu: 1x300 mm ² / 2x300 mm ² / 3x300 mm ² / 4x300 mm ²
Al: 2x240 mm ² / 3x240 mm ² / 4x240 mm ² / 5x240 mm ²
Primary passing through minimum dimensions (mm ²) 3x100x12 mm

DIMENSIONS CT (mm) and MOUNTING

CT80II



CT4II



Mounting detail