

# U1 D

## VOLTAGE Control Relays

### SINGLE - PHASE VOLTAGE RELAY

- *Self-powered by the voltage to be monitored.*
- *Visual indication of trip cause.*
- *DIN rail mounting.*
- Minimum and maximum thresholds adjustable (two potentiometers).
- Adjustable trip time delay. Instantaneous reset. Protects equipment such as digital instruments or electrical equipment from voltage variations in the network.

### U1 D



### PROTECTION FUNCTIONS

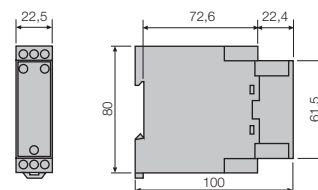
- $U>$  Overvoltage
- $U<$  Undervoltage



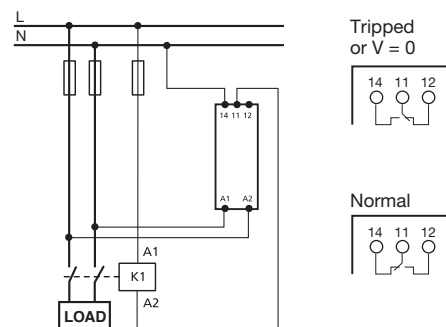
MODELS	U1D-24D	U1D-115	U1D-230
Frequency	DC	50/60 Hz	50/60 Hz
Maximum threshold V	23-28	105-135	215-275
Minimum threshold V	19-25	90-120	160-230
Code	12028	12026	12027

CHARACTERISTICS	
Type of supply to be monitored	Single phase
Auxiliary supply $\pm 10\%$	Self-powered
Accuracy	$U>$ +4% -1%; $U<$ +1% -4%
Trip time delay (TD)	0,1 to 6s ( $\pm 20\%$ ) for $U>$ $U<$
Reset time delay (RD)	No
Reset mode	Automatic
Hysteresis	4% of the nominal voltage
Signalling LED's	3 LED's: ON + $U>$ + $U<$
Output contacts	1 relay with 1 change-over NO - NC
Switching power	$I_n$ : 5A; AC15 - 250V - 2A; DC13 - 30V - 2A
Terminals: Max. section / Screw torque	2,5 mm <sup>2</sup> , No. 22 - 12AWG / 20Ncm, 1,8 LB - IN
Power consumption	3 VA (115 Vac) - 7 VA (230 Vac) - 0,7W (24 Vdc)
Protection degree / weight	IP20 / 0,11 kg
Storage / operation temperature	-30°C +70 °C / -15°C +60°C

### DIMENSIONS U1D RELAY (mm)



### WIRING DIAGRAM



### WORK LOGIC

