

PHASE Control Relays

PHASE CONTROL

- Self-powered by the voltage to be monitored.
- Visual indication of trip cause.
- DIN rail mounting.
- To protect 3-phase devices and during operation of Lifts & Elevators.
- Suitable for air conditioning, cranes, hoists and similar installations for protection during startup.
- Sensitive to incorrect phase sequence.

S



PROTECTION FUNCTIONS

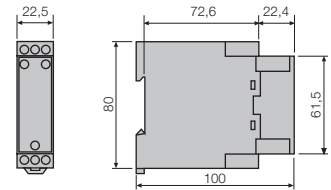
- ⚡ Phase imbalance or phase loss
- (R) Phase sequence

CE

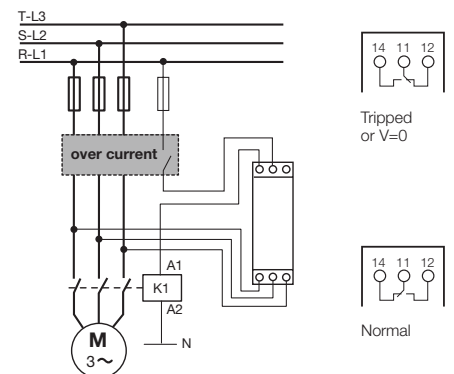
MODELS	S2	S4
Nominal voltage of the line to be monitored ($\pm 15\%$)	3 x 230 V	3 x 400 V
Voltage supply ($\pm 15\%$)	Self-powered (3-phase)	
Code	12033	12034

CHARACTERISTICS	
Nominal frequency	50/60 Hz
Control range	Phase loss: with resistive loads it trips when a phase loss occurs. With three-phase motors it trips if the voltage regenerated by the motor is lower than 60% of the main voltage. Phase imbalance > 40%
Trip time delay	< 0,1 s
Reset mode	Automatic
Signalling LED's	2 LED's: ON + ⚡ (R)
Output contacts	1 relay with 1 change over NO - NC
Switching power	I_{th} : 5A; AC15 - 250V - 2A; DC13 - 30V - 2A
Maximum terminal section / screw torque	2,5 mm ² , No. 22 - 12AWG / 20Ncm, 1,8 LB - IN
Power consumption	7,5 VA (230 Vac) - 11 VA (400 Vac)
Protection degree / weight	IP20 / 0,12 kg
Storage / operation temperature	-30°C +70°C / -15°C +60°C

DIMENSIONS S RELAY (mm)



WIRING DIAGRAM



WORK LOGIC

